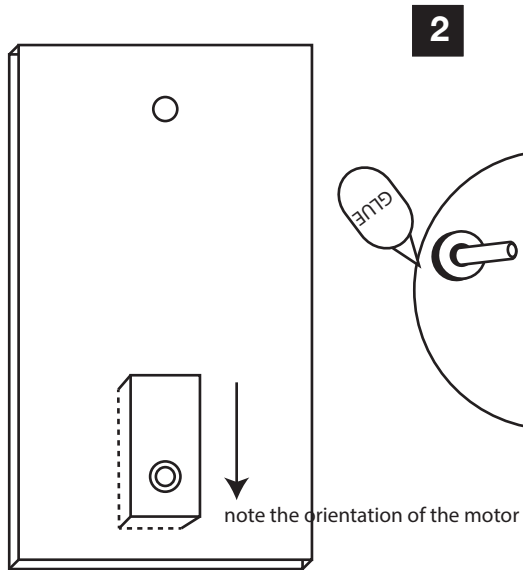
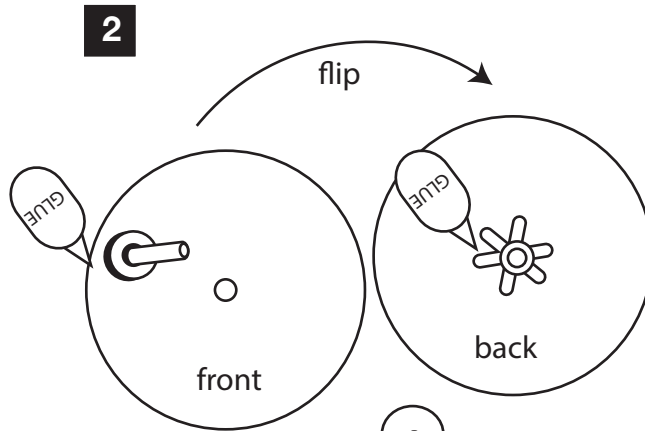


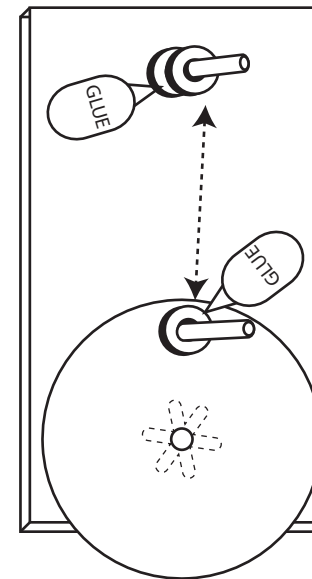
# Paper Mechatronics Crankshaft



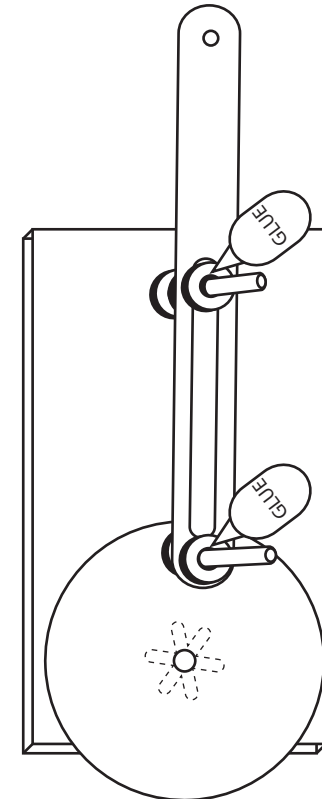
**1** Insert the servo motor and tape it in back.



**3** The spacer on the rotating wheel and the top spacer on the upper shaft should be at the same height



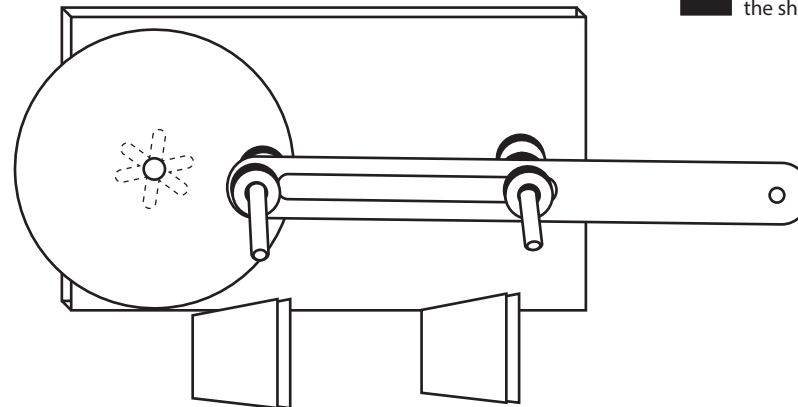
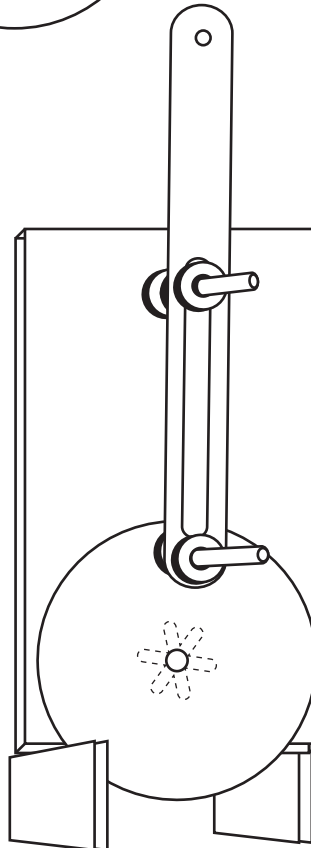
Attach the wheel to the servo motor.



**4** Add spacers above the shaft.

**5**

Decide which way you want to orient the machine and attach the leg pieces to make it stand.



# What kind of story do you want to create?

Think about how this machine works. How does the shaft move as the large wheel turns?  
What can you build on top of the shaft? Sketch your ideas in the boxes.

